

PARTS LIST

CAUTION

- The parts identified by the Δ symbol are important for the safety . Whenever replacing these parts, be sure to use specified ones to secure the safety .
- The parts not indicated in this Parts List and those which are filled with lines --- in the Parts No. columns will not be supplied .
- P. W. Board Ass'y will not be supplied, but those which are filled with the Parts No. in the Parts No. columns will be supplied .

ABBREVIATIONS OF RESISTORS, CAPACITORS AND TOLERANCES

RESISTORS		CAPACITORS	
C R	Carbon Resistor	C CAP.	Ceramic Capacitor
F R	Fusible Resistor	E CAP.	Electrolytic Capacitor
P R	Plate Resistor	M CAP.	Mylar Capacitor
V R	Variable Resistor	HV CAP.	High Voltage Capacitor
HV R	High Voltage Resistor	MF CAP.	Metalized Film Capacitor
MF R	Metal Film Resistor	MM CAP.	Metalized Mylar Capacitor
MG R	Metal Glazed Resistor	MP CAP.	Metalized Polystyrol Capacitor
MP R	Metal Plate Resistor	PP CAP.	Polypropylene Capacitor
OM R	Metal Oxide Film Resistor	PS CAP.	Polystyrol Capacitor
CMF R	Coating Metal Film Resistor	TF CAP.	Thin Film Capacitor
UNF R	Non-Flammable Resistor	MPP CAP.	Metalized Polypropylene Capacitor
CH V R	Chip Variable Resistor	TAN. CAP.	Tantalum Capacitor
CH MG R	Chip Metal Glazed Resistor	CH C CAP.	Chip Ceramic Capacitor
COMP. R	Composition Resistor	BP E CAP.	Bi-Polar Electrolytic Capacitor
LPTC R	Linear Positive Temperature Coefficient Resistor	CH AL E CAP.	Chip Aluminum Electrolytic Capacitor
		CH AL BP CAP.	Chip Aluminum Bi-Polar Capacitor
		CH TAN. E CAP.	Chip Tantalum Electrolytic Capacitor
		CH AL BP E CAP.	Chip Tantalum Bi-Polar Electrolytic Capacitor

TOLERANCES									
F	G	J	K	M	N	R	H	Z	P
±1%	±2%	±5%	±10%	±20%	±30%	+30% -10%	+50% -10%	+80% -20%	+100% -0%

CONTENTS

- USING P.W. BOARD & REMOTE CONTROL UNIT 34
- EXPLODED VIEW PARTS LIST 34
- EXPLODED VIEW 35
- PRINTED WIRING BOARD PARTS LIST
 - MAIN PW BOARD ASS'Y 36
 - CRT SOCKET PW BOARD ASS'Y 39
 - FRONT CONTROL PW BOARD ASS'Y 39
 - AV SELECTOR PW BOARD ASS'Y 40
 - FRONT AV IN PW BOARD ASS'Y 41
- PACKING / PACKING PARTS LIST 42

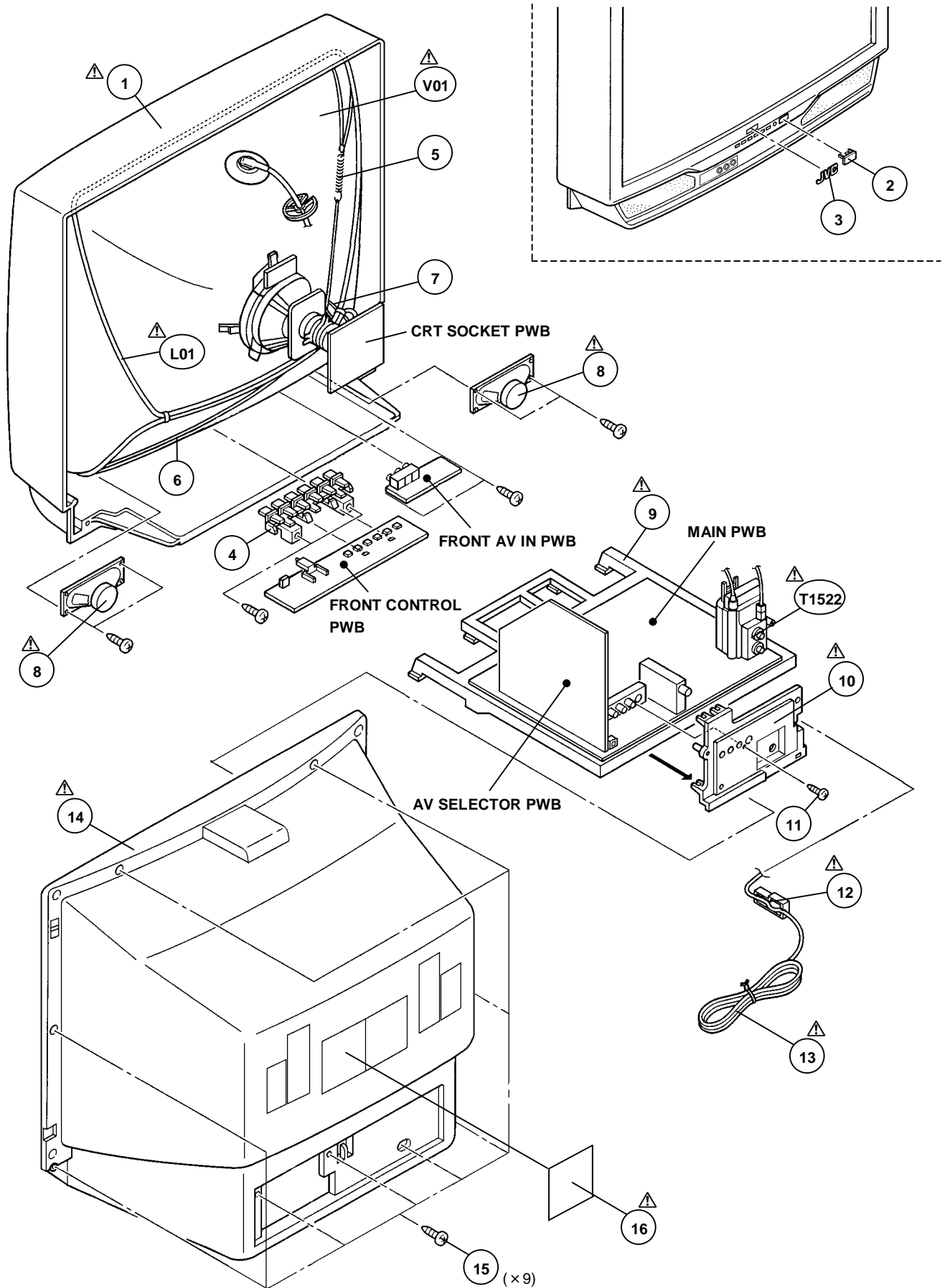
USING P.W. BOARD & REMOTE CONTROL UNIT

P.W.B ASS'Y	Model	AV-27GFHZ
MAIN P.W.B		SGF-1020A-M2
CRT SOCKET P.W.B		SGF-3001A-M2
FRONT CONTROL P.W.B		SGF-4001A-M2
AV SELECTOR P.W.B		SGF-8008A-M2
FRONT AV IN P.W.B		SGF-8304A-M2
REMOTE CONTROL UNIT (OPTIONAL)		RM-C205-1C

EXPLODED VIEW PARTS LIST

△ Ref.No.	Part No.	Part Name	Description
△ V01	A68AJB82X02	PICTURE TUBE(C)	Inc.DY, PC MAGNET, WEDGE
△ L01	CE41329-00DJB	DEG.COIL	
△ T1522	QQH0062-001	H.V.TRANSF.	
△ 1	LC10488-007A-A	FRONT CABINET	
2	CM35983-001-H	REMOCON WINDOW	
3	CM48006-006-C	JVC MARK	
4	LC20674-001A-A	PUSH KNOB	
5	A48457-4-S	SPRING	
6	WJY0016-001A	E-BRAIDED ASSY	
7	WJY0013-003A	E-BRAIDED ASSY(SUB)	
△ 8	CEB5512D-04KJ2	SPEAKER	(×2)SP01,SP02
△ 9	LC10363-001D-A	CHASSIS BASE	
△ 10	LC20087-008A-A	TERMINAL BOARD	
11	QYSBSB3010Z	TAPPING SCREW	(×1)
△ 12	CM48140-A03-A	POWER CORD CLAMP	
△ 13	QMPD270-400-K2	POWER CORD	
△ 14	CM12920-F01-MA	REAR COVER	
15	QYSB5FG4016Z	TAPPING SCREW	(×9)
△ 16	LC31139-001A-A	RATING LABEL	

EXPLODED VIEW



PRINTED WIRING BOARD PARTS LIST

MAIN PW BOARD ASS'Y (SGF-1020A-M2)

△ Symbol No.	Part No.	Part Name	Description
RESISTOR			
R1003-04	NRSA02J-101X	MG R	100Ω 1/10W J
R1005	NRSA02J-272X	MG R	2.7kΩ 1/10W J
R1006	NRSA02J-223X	MG R	22kΩ 1/10W J
R1101	NRSA02J-820X	MG R	82Ω 1/10W J
R1102	NRSA02J-562X	MG R	5.6kΩ 1/10W J
R1103	NRSA02J-182X	MG R	1.8kΩ 1/10W J
R1104	QRE121J-331Y	C R	330Ω 1/2W J
R1105	NRSA02J-100X	MG R	10Ω 1/10W J
R1106	NRSA02J-390X	MG R	39Ω 1/10W J
R1108	NRSA02J-183X	MG R	18kΩ 1/10W J
R1110	QRL029J-330	OM R	33Ω 2W J
R1131	NRSA02J-181X	MG R	180Ω 1/10W J
R1132-33	NRSA02J-101X	MG R	100Ω 1/10W J
R1134	NRSA02J-152X	MG R	1.5kΩ 1/10W J
R1135	NRSA02J-561X	MG R	560Ω 1/10W J
R1136	NRSA02J-122X	MG R	1.2kΩ 1/10W J
R1137	NRSA02J-471X	MG R	470Ω 1/10W J
R1139	NRSA02J-681X	MG R	680Ω 1/10W J
R1161	NRSA02J-102X	MG R	1kΩ 1/10W J
R1162	NRSA02J-102X	MG R	1kΩ 1/10W J
R1163	NRSA02J-332X	MG R	3.3kΩ 1/10W J
R1164	NRSA02J-472X	MG R	4.7kΩ 1/10W J
R1201	NRSA02J-0R0X	MG R	0.0Ω 1/10W J
R1208	NRSA02J-0R0X	MG R	0.0Ω 1/10W J
R1209	NRSA02J-272X	MG R	2.7kΩ 1/10W J
R1210	NRSA02J-821X	MG R	820Ω 1/10W J
R1211	NRSA02J-683X	MG R	68kΩ 1/10W J
R1212	NRSA02J-224X	MG R	220kΩ 1/10W J
R1215	NRSA02J-471X	MG R	470Ω 1/10W J
R1216	NRSA02J-681X	MG R	680Ω 1/10W J
R1217	NRSA02J-272X	MG R	2.7kΩ 1/10W J
R1225	NRSA02J-681X	MG R	680Ω 1/10W J
R1231	NRSA02J-472X	MG R	4.7kΩ 1/10W J
R1232	NRSA02J-392X	MG R	3.9kΩ 1/10W J
R1233	NRSA02J-182X	MG R	1.8kΩ 1/10W J
R1236	NRSA02J-471X	MG R	470Ω 1/10W J
R1237	NRSA02J-392X	MG R	3.9kΩ 1/10W J
R1238	NRSA02J-471X	MG R	470Ω 1/10W J
R1239	NRSA02J-332X	MG R	3.3kΩ 1/10W J
R1301	NRSA02J-393X	MG R	39kΩ 1/10W J
R1302	NRSA02J-183X	MG R	18kΩ 1/10W J
R1311-12	NRSA02J-473X	MG R	47kΩ 1/10W J
R1313	NRSA02J-222X	MG R	2.2kΩ 1/10W J
R1314	NRSA02J-680X	MG R	68Ω 1/10W J
R1421	NRSA02J-472X	MG R	4.7kΩ 1/10W J
R1422	QRE121J-391Y	C R	390Ω 1/2W J
R1423	QRT029J-R82	MF R	0.82Ω 2W J
R1424	QRE121J-102Y	C R	1kΩ 1/2W J
R1425	NRSA02J-563X	MG R	56kΩ 1/10W J
R1427	NRSA02J-332X	MG R	3.3kΩ 1/10W J
R1428	NRSA02J-273X	MG R	27kΩ 1/10W J
R1429	NRSA02J-223X	MG R	22kΩ 1/10W J
R1430	NRSA02J-102X	MG R	1kΩ 1/10W J
R1501	NRSA02J-361X	MG R	360Ω 1/10W J
R1502	NRSA02J-182X	MG R	1.8kΩ 1/10W J
R1504	NRSA02J-0R0X	MG R	0.0Ω 1/10W J
R1505	NRSA02J-822X	MG R	8.2kΩ 1/10W J
R1506	NRSA02J-222X	MG R	2.2kΩ 1/10W J
R1507	NRSA02J-563X	MG R	56kΩ 1/10W J
R1511	NRSA02J-391X	MG R	390Ω 1/10W J
R1521	NRSA02J-391X	MG R	390Ω 1/10W J
R1522	NRSA02J-271X	MG R	270Ω 1/10W J
R1523	QRE121J-103Y	C R	10kΩ 1/2W J
R1524	QRG029J-182	OM R	1.8kΩ 2W J
R1525	QRG029J-152	OM R	1.5kΩ 2W J
R1531	QRE121J-220Y	C R	22Ω 1/2W J
R1532	QRE121J-681Y	C R	680Ω 1/2W J
R1533	QRL039J-103	OM R	10kΩ 3W J
△ R1541	QRK129J-150	C R	15Ω 1/2W J
R1542	QRX029J-1R5	MF R	1.5 Ω 2W J

△ Symbol No.	Part No.	Part Name	Description
RESISTOR			
△ R1544	QRZ9017-4R7	F R	4.7 Ω 1/4W J
R1545	QRE121J-822Y	C R	8.2kΩ 1/2W J
R1547-48	QRE121J-184Y	C R	180kΩ 1/2W J
R1553	NRSA02J-333X	MG R	33kΩ 1/10W J
△ R1556	NRVA02D-752X	MF R	7.5kΩ 1/10W D
△ R1557	NRZ0032-2671X	MF R	2.67kΩ 1/10W±0.5%
R1558	NRSA02J-333X	MG R	33kΩ 1/10W J
R1559	NRSA02J-123X	MG R	12kΩ 1/10W J
R1560	NRSA02J-273X	MG R	27kΩ 1/10W J
R1561	NRSA02J-103X	MG R	10kΩ 1/10W J
R1592	QRE121J-270Y	C R	27Ω 1/2W J
R1601	NRSA02J-562X	MG R	5.6kΩ 1/10W J
R1602	NRSA02J-221X	MG R	220Ω 1/10W J
R1603	NRSA02J-562X	MG R	5.6kΩ 1/10W J
R1604	NRSA02J-221X	MG R	220Ω 1/10W J
R1605	QRT039J-2R7	MF R	2.7Ω 3W J
R1606	NRSA02J-223X	MG R	22kΩ 1/10W J
R1607	NRSA02J-223X	MG R	22kΩ 1/10W J
R1611	NRSA02J-333X	MG R	33kΩ 1/10W J
R1612	NRSA02J-223X	MG R	22kΩ 1/10W J
R1613-14	NRSA02J-0R0X	MG R	0.0Ω 1/10W J
R1615-16	NRSA02J-271X	MG R	270Ω 1/10W J
R1617	NRSA02J-473X	MG R	47kΩ 1/10W J
R1701	NRSA02J-102X	MG R	1kΩ 1/10W J
R1704	NRSA02J-0R0X	MG R	0.0Ω 1/10W J
R1705	NRSA02J-103X	MG R	10kΩ 1/10W J
R1706	NRSA02J-102X	MG R	1kΩ 1/10W J
R1710	NRSA02J-331X	MG R	330Ω 1/10W J
R1711	NRSA02J-223X	MG R	22kΩ 1/10W J
R1713	NRSA02J-103X	MG R	10kΩ 1/10W J
R1714	NRSA02J-222X	MG R	2.2kΩ 1/10W J
R1715	NRSA02J-682X	MG R	6.8kΩ 1/10W J
R1716	NRSA02J-222X	MG R	2.2kΩ 1/10W J
R1717	NRSA02J-471X	MG R	470Ω 1/10W J
R1718	NRSA02J-222X	MG R	2.2kΩ 1/10W J
R1719	NRSA02J-471X	MG R	470Ω 1/10W J
R1720	NRSA02J-222X	MG R	2.2kΩ 1/10W J
R1721	NRSA02J-471X	MG R	470Ω 1/10W J
R1724	NRSA02J-102X	MG R	1kΩ 1/10W J
R1725	NRSA02J-104X	MG R	100kΩ 1/10W J
R1728-29	NRSA02J-272X	MG R	2.7kΩ 1/10W J
R1730-31	NRSA02J-101X	MG R	100Ω 1/10W J
R1732	NRSA02J-474X	MG R	470kΩ 1/10W J
R1733-34	NRSA02J-682X	MG R	6.8kΩ 1/10W J
R1735	NRSA02J-103X	MG R	10kΩ 1/10W J
R1736	NRSA02J-102X	MG R	1kΩ 1/10W J
R1739	NRSA02J-473X	MG R	47kΩ 1/10W J
R1741	NRSA02J-223X	MG R	22kΩ 1/10W J
R1742	NRSA02J-822X	MG R	8.2kΩ 1/10W J
R1743	NRSA02J-222X	MG R	2.2kΩ 1/10W J
R1744	NRSA02J-103X	MG R	10kΩ 1/10W J
R1745	NRSA02J-473X	MG R	47kΩ 1/10W J
R1746	NRSA02J-103X	MG R	10kΩ 1/10W J
R1747	NRSA02J-222X	MG R	2.2kΩ 1/10W J
R1756-57	NRSA02J-682X	MG R	6.8kΩ 1/10W J
R1759	NRSA02J-102X	MG R	1kΩ 1/10W J
R1760	NRSA02J-102X	MG R	1kΩ 1/10W J
R1761	NRSA02J-102X	MG R	1kΩ 1/10W J
R1765	NRSA02J-102X	MG R	1kΩ 1/10W J
R1772	NRSA02J-102X	MG R	1kΩ 1/10W J
R1773	NRSA02J-121X	MG R	120Ω 1/10W J
R1791-95	NRSA02J-561X	MG R	560Ω 1/10W J
R1801-03	NRSA02J-222X	MG R	2.2kΩ 1/10W J
R1804-06	NRSA02J-101X	MG R	100Ω 1/10W J
△ R1901	QRF074K-R47	UNF R	0.47Ω 7W K
R1902	QRE121J-822Y	C R	8.2kΩ 1/2W J
R1903	NRSA02J-681X	MG R	680Ω 1/10W J
R1904-05	QRT029J-R22	MF R	0.22Ω 2W J
R1906	QRE121J-822Y	C R	8.2kΩ 1/2W J
R1907-08	QRL039J-393	OM R	39kΩ 3W J

Symbol No.	Part No.	Part Name	Description
RESISTOR			
R1909	QRE121J-332Y	C R	3.3kΩ 1/2W J
R1912-13	QRE121J-333Y	C R	33kΩ 1/2W J
R1914	QRE121J-2R2Y	C R	2.2Ω 1/2W J
R1915-16	NRSA02J-392X	MG R	3.9kΩ 1/10W J
R1917	NRSA02J-103X	MG R	10kΩ 1/10W J
R1918	NRSA02J-102X	MG R	1kΩ 1/10W J
R1920	NRSA02J-103X	MG R	10kΩ 1/10W J
R1924	QRG01GJ-221	OM R	220Ω 1W J
R1925	NRSA02J-103X	MG R	10kΩ 1/10W J
R1926	QRT029J-R82	MF R	0.82Ω 2W J
R1928	NRSA02J-682X	MG R	6.8kΩ 1/10W J
R1931	NRSA02J-123X	MG R	12kΩ 1/10W J
R1933	NRSA02J-123X	MG R	12kΩ 1/10W J
R1934	NRSA02J-104X	MG R	100kΩ 1/10W J
R1936	QRE121J-222Y	C R	2.2kΩ 1/2W J
R1940	NRSA02J-104X	MG R	100kΩ 1/10W J
R1941	NRSA02J-102X	MG R	1kΩ 1/10W J
R1942	NRSA02J-222X	MG R	2.2kΩ 1/10W J
R1943	NRSA02J-0R0X	MG R	0.0Ω 1/10W J
R1944	NRSA02J-393X	MG R	39kΩ 1/10W J
R1945	NRSA02J-102X	MG R	1kΩ 1/10W J
R1946	NRSA02J-102X	MG R	1kΩ 1/10W J
R1947	NRSA02J-472X	MG R	4.7kΩ 1/10W J
R1948	NRSA02J-222X	MG R	2.2kΩ 1/10W J
R1949	NRSA02J-104X	MG R	100kΩ 1/10W J
R1951	QRT029J-1R2	MF R	1.2Ω 2W J
R1952	QRT029J-1R0	MF R	1.0Ω 2W J
R1954	QRE121J-272Y	C R	2.7kΩ 1/2W J
R1955	QRE121J-473Y	C R	47kΩ 1/2W J
R1956	NRSA02J-223X	MG R	22kΩ 1/10W J
R1958	NRSA02J-103X	MG R	10kΩ 1/10W J
R1961	QRJ146J-3R3X	C R	3.3Ω 1/4W J
R1962	QRL029J-472	OM R	4.7kΩ 2W J
R1963	NRSA02J-103X	MG R	10kΩ 1/10W J
R1966	NRSA02J-223X	MG R	22kΩ 1/10W J
R1967	QRE121J-683Y	C R	68kΩ 1/2W J
R1998	QRZ9041-275	C R	2.7MΩ 1/2W K
R1999	QRE121J-121Y	C R	120Ω 1/2W J

Symbol No.	Part No.	Part Name	Description
CAPACITOR			
C1001	QETN1HM-4752	E CAP.	4.7μF 50V M
C1004	QETN1CM-2272	E CAP.	220μF 16V M
C1005	QETN1EM-4762	E CAP.	47μF 25V M
C1006	NCB21HK-103X	C CAP.	0.01μF 50V K
C1007	QETN1HM-1062	E CAP.	10μF 50V M
C1011	NCB21HK-103X	C CAP.	0.01μF 50V K
C1101	QFV71HJ-1042	MF CAP.	0.1μF 50V J
C1102	NCB21HK-103X	C CAP.	0.01μF 50V K
C1103	QETN1CM-1072	E CAP.	100μF 16V M
C1104-05	NCB21HK-103X	C CAP.	0.01μF 50V K
C1106	NDC21HJ-680X	C CAP.	68pF 50V J
C1107	NCB21HK-103X	C CAP.	0.01μF 50V K
C1108	QETN1CM-1072	E CAP.	100μF 16V M
C1110	NCB21HK-103X	C CAP.	0.01μF 50V K
C1111	NCB21HK-222X	C CAP.	2200pF 50V K
C1113	NDC21HJ-5R0X	C CAP.	5.0pF 50V J
C1131	QFV71HJ-1542	MF CAP.	0.15μF 50V J
C1132	QFN31HJ-1522	M CAP.	1500pF 50V J
C1133	QETN1HM-4742	E CAP.	0.47μF 50V M
C1134	NCB21HK-223X	C CAP.	0.022μF 50V K
C1135	NCB21HK-103X	C CAP.	0.01μF 50V K
C1137	QETN1EM-4762	E CAP.	47μF 25V M
C1161	QETN1CM-2272	E CAP.	220μF 16V M
C1162	NCB21HK-103X	C CAP.	0.01μF 50V K
C1163	NDC21HJ-220X	C CAP.	22pF 50V J
C1164-65	NDC21HJ-470X	C CAP.	47pF 50V J
C1166	NCB21HK-103X	C CAP.	0.01μF 50V K
C1168-70	NCB21HK-103X	C CAP.	0.01μF 50V K
C1171	NCB21HK-222X	C CAP.	2200pF 50V K
C1205	NCB21HK-104X	CHIP CAP.	0.1μF 50V K
C1206	QETN1HM-1052	E CAP.	1μF 50V M
C1207	QETN1HM-1062	E CAP.	10μF 50V M

Symbol No.	Part No.	Part Name	Description
CAPACITOR			
C1225	NCB21HK-104X	CHIP CAP.	0.1μF 50V K
C1226	NDC21HJ-681X	C CAP.	680pF 50V J
C1228	NCB21HK-104X	CHIP CAP.	0.1μF 50V K
C1231	QETN1EM-4762	E CAP.	47μF 25V M
C1232	QETN1HM-1062	E CAP.	10μF 50V M
C1233	QETN1EM-4762	E CAP.	47μF 25V M
C1234-35	QETN1HM-1052	E CAP.	1μF 50V M
C1301	NCB21HK-103X	C CAP.	0.01μF 50V K
C1302	NDC21HJ-100X	C CAP.	10pF 50V J
C1303	NCB21HK-223X	C CAP.	0.022μF 50V K
C1304	QETN1HM-4742	E CAP.	0.47μF 50V M
C1305	QETN1CM-1072	E CAP.	100μF 16V M
C1308	NCB21HK-103X	C CAP.	0.01μF 50V K
C1401	QETN1HM-2252	E CAP.	2.2μF 50V M
C1402	QBHC1CK-2252	TAN. CAP.	2.2μF 16V K
C1403	NCB21HK-102X	C CAP.	1000pF 50V K
C1421	NCB21HK-103X	C CAP.	0.01μF 50V K
C1422	QCS32HJ-8202	C CAP.	82pF 500V J
C1424	QETN1VM-1072	E CAP.	100μF 35V M
C1425	QETN1VM-4772	E CAP.	470μF 35V M
C1426	QFLC2AK-5632	M CAP.	0.056μF 100V K
C1427	QETN1EM-228	E CAP.	2200pF 25V M
C1428-29	QFV71HJ-3942	MF CAP.	0.39μF 50V J
C1501	QETN1CM-2272	E CAP.	220μF 16V M
C1502	QETN1HM-1062	E CAP.	10μF 50V M
C1503	NCB21HK-103X	C CAP.	0.01μF 50V K
C1505	QETN1HM-1062	E CAP.	10μF 50V M
C1511	QETN1EM-4762	E CAP.	47μF 25V M
C1521	QCB32HK-1512	C CAP.	150pF 500V K
C1522	QCB32HK-3312	C CAP.	330pF 500V K
C1523	QEHR2CM-1052	E CAP.	1μF 160V M
△ C1531	QFZ0196-352	MPP CAP.	3500pF1.5KVH±3%
△ C1532	QFZ0198-123	MPP CAP.	0.012μF1.5KVH±3%
△ C1533	QFM72DK-124	M CAP.	0.12μF 200V K
C1534	QEHR2EM-2252	E CAP.	2.2μF 250V M
△ C1535	QFZ0197-434	MPP CAP.	0.43μF 250V J
C1536	QCB32HK-5612	C CAP.	560pF 500V K
C1538	QEZ0420-107	E CAP.	100μF 160V M
C1541	QETN2EM-2262	E CAP.	22μF 250V M
C1542	QETN1VM-108	E CAP.	1000μF 35V M
C1544	QETN1VM-1072	E CAP.	100μF 35V M
C1545	QFLC2AJ-1032	M CAP.	0.01μF 100V J
C1546	QFV71HJ-6842	MF CAP.	0.68μF 50V J
C1547	QCB32HK-5612	C CAP.	560pF 500V K
C1548	QCB32HK-1022	C CAP.	1000pF 500V K
C1551	QETN1HM-1062	E CAP.	10μF 50V M
C1578-79	QEM61HK-4752	E CAP.	4.7μF 50V K
C1602	QENC1HM-4742	BP E CAP.	0.47μF 50V M
C1604	QENC1HM-4742	BP E CAP.	0.47μF 50V M
C1605	QETN1CM-1072	E CAP.	100μF 16V M
C1606	QETN1EM-1082	E CAP.	1000μF 25V M
C1607	QETN1HM-4742	E CAP.	0.47μF 50V M
C1608-09	QETN1CM-4772	E CAP.	470μF 16V M
C1613	QETN1EM-4762	E CAP.	47μF 25V M
C1614	QETN1HM-1062	E CAP.	10μF 50V M
C1615	QETN1HM-4742	E CAP.	0.47μF 50V M
C1701	NCB21HK-103X	C CAP.	0.01μF 50V K
C1703	QETN1CM-1072	E CAP.	100μF 16V M
C1704	NCB21HK-103X	C CAP.	0.01μF 50V K
C1705	NDC21HJ-181X	C CAP.	180pF 50V J
C1706	QETN1HM-4742	E CAP.	0.47μF 50V M
C1708	QETN1HM-1052	E CAP.	1μF 50V M
C1709	NDC21HJ-221X	C CAP.	220pF 50V J
C1710-11	NDC21HJ-390X	C CAP.	39pF 50V J
C1712	NDC21HJ-270X	C CAP.	27pF 50V J
C1714	NCB21HK-103X	C CAP.	0.01μF 50V K
C1715	QETN1CM-1072	E CAP.	100μF 16V M
C1716	NCB21HK-103X	C CAP.	0.01μF 50V K
C1717-18	NDC21HJ-330X	C CAP.	33pF 50V J
C1719	NDC21HJ-471X	C CAP.	470pF 50V J
C1720-21	NCB21HK-103X	C CAP.	0.01μF 50V K
C1724	NDC21HJ-471X	C CAP.	470pF 50V J

Symbol No.	Part No.	Part Name	Description
CAPACITOR			
C1736	NCB21HK-102X	C CAP.	1000pF 50V K
C1741	QFN31HJ-102Z	M CAP.	1000pF 50V J
C1743	NCB21HK-103X	C CAP.	0.01μF 50V K
C1744	NDC21HJ-221X	C CAP.	220pF 50V J
C1771	QETN1EM-476Z	E CAP.	47μF 25V M
C1772	NCB21HK-103X	C CAP.	0.01μF 50V K
C1773	QETN1CM-107Z	E CAP.	100μF 16V M
C1774	QETN1CM-227Z	E CAP.	220μF 16V M
C1784	QETN1HM-336Z	E CAP.	33μF 50V M
C1801-03	QETN1HM-474Z	E CAP.	0.47μF 50V M
△ C1901	QFZ9067-104	MF CAP.	0.1μFAC275V M
△ C1902	QFZ9067-473	MF CAP.	0.047μFAC275V M
△ C1903	QFZ9067-104	MF CAP.	0.1μFAC275V M
△ C1904	QCZ9052-102	C CAP.	1000pFAC125V M
△ C1906	QCZ9078-102	C CAP.	1000pFAC250V M
△ C1907	QCZ9078-102	C CAP.	1000pFAC250V M
△ C1908	QCZ9078-102	C CAP.	1000pFAC250V M
△ C1910	QEZ0429-477	E CAP.	470μF 200V M
C1911	QETN1EM-108Z	E CAP.	1000μF 25V M
C1912	QFN31HJ-102Z	M CAP.	1000pF 50V J
C1913	QCZ0131-102	C CAP.	1000pF 2kV K
C1914	QCZ0325-391	C CAP.	390pF 2kV K
△ C1915	QFP32GJ-223	PP CAP.	0.022μF 400V J
C1916	QCZ0131-332	C CAP.	3300pF 2kV K
C1918	NCB21HK-102X	C CAP.	1000pF 50V K
C1920	QFLC1HJ-823Z	M CAP.	0.082μF 50V J
C1921-23	QCZ0132-152Z	C CAP.	1500pF 500V K
C1924	QEZ0420-107	E CAP.	100μF 160V M
C1925	QCZ0132-152Z	C CAP.	1500pF 500V K
C1926	QEHQ1VM-108	E CAP.	1000μF 35V M
C1927	QEHR1CM-227Z	E CAP.	220μF 16V M
C1928	QETN1EM-108Z	E CAP.	1000μF 25V M
△ C1931	QETN1EM-476Z	E CAP.	47μF 25V M
△ C1932	QEHR1VM-476Z	E CAP.	47μF 35V M
C1934	NCB21HK-102X	C CAP.	1000pF 50V K
C1935	QETN1HM-107Z	E CAP.	100μF 50V M
C1937	QETN2CM-106Z	E CAP.	10μF 160V M
C1938	NDC21HJ-102X	C CAP.	1000pF 50V J
C1951	QETN1CM-107Z	E CAP.	100μF 16V M
C1952	QETN1HM-476Z	E CAP.	47μF 50V M
△ C1954	QEHR1HM-226Z	E CAP.	22μF 50V M
△ C1990	QCZ9074-103	C CAP.	0.01μFAC250V M
△ C1991	QCZ9074-103	C CAP.	0.01μFAC250V M

TRANSFORMER			
T1131	QQR0907-001	I. F. TRANSFORMER	
T1161	CEL1003-109J3	S. I. F. TRANSF.	
T1521	CE42034-002	H. DRIVE TRANSF.	
△ T1522	QHQ0062-001	H. V. TRANSF.	
△ T1901	QQS0063-001	SWITCH. TRANSF.	

COIL			
L1102	QQLZ014-R22	PEAKING COIL	
L1104	QQL29BJ-680Z	PEAKING COIL	
L1131	QQL29BJ-220Z	PEAKING COIL	
L1161	QQL29BJ-680Z	PEAKING COIL	
L1162	QQL29BJ-220Z	PEAKING COIL	
L1201	QQL244K-270Z	PEAKING COIL	
△ L1531	QQR1027-004	LINE FILTER	
L1532	QQLZ027-821	CHOKE COIL	
△ L1591	QQLZ026-930	HEATER CHOKE	
L1701	QQL29BJ-4R7Z	PEAKING COIL	
L1702	QQL244J-100Z	COIL	10μH J
L1771	QQL29BJ-4R7Z	PEAKING COIL	
L1921-22	QQL42AK-820Z	COIL	82μH K

DIODE			
D1001	MTZJ33A-T2	ZENER DIODE	
D1231	1SS133-T2	SI. DIODE	
D1232	1SS133-T2	SI. DIODE	
D1233	1SS133-T2	SI. DIODE	
D1234	1SS133-T2	SI. DIODE	

Symbol No.	Part No.	Part Name	Description
DIODE			
D1421	1N4003-T2	SI. DIODE	
D1422	MTZJ75-T2	ZENER DIODE	
D1511	MTZJ3.3A-T2	ZENER DIODE	
D1531	RH3G-F1	SI. DIODE	
D1532	RU3AM-LFC4	SI. DIODE	
△ D1533	RGP10J-5025-T3	SI. DIODE	
D1541	RH1S-T3	SI. DIODE	
△ D1542	RGP10J-5025-T3	SI. DIODE	
D1544	1SS81-T2	SI. DIODE	
D1546	1SR124-400A-T2	SI. DIODE	
D1549	MTZJ9.1B-T2	ZENER DIODE	
△ D1551	MA4068N/Z1/-T2	ZENER DIODE	
D1560	1SS133-T2	SI. DIODE	
D1561	1SS133-T2	SI. DIODE	
D1601	1SS133-T2	SI. DIODE	
D1602	1SS133-T2	SI. DIODE	
D1609	1SS133-T2	SI. DIODE	
D1702	1SS133-T2	SI. DIODE	
D1703	1SS133-T2	SI. DIODE	
D1704	1SS133-T2	SI. DIODE	
D1741	1SS133-T2	SI. DIODE	
D1742	1SS133-T2	SI. DIODE	
D1771	1SS133-T2	SI. DIODE	
D1772	1SS133-T2	SI. DIODE	
D1801	MTZJ5.1B-T2	ZENER DIODE	
D1804	1SS133-T2	SI. DIODE	
△ D1901	D35BA60-S1	BRIDGE DIODE	
△ D1902	RGP10J-5025-T3	SI. DIODE	
D1903	1SS133-T2	SI. DIODE	
D1904	1SS133-T2	SI. DIODE	
D1905	EG1A-T3	SI. DIODE	
D1909	MTZJ15A-T2	ZENER DIODE	
△ D1910	RGP10J-5025-T3	SI. DIODE	
D1911	1SS133-T2	SI. DIODE	
D1912	MTZJ15A-T2	ZENER DIODE	
△ D1913	RGP10J-5025-T3	SI. DIODE	
△ D1914	RGP10J-5025-T3	SI. DIODE	
△ D1916	RGP10J-5025-T3	SI. DIODE	
D1918	MTZJ15A-T2	ZENER DIODE	
D1921	RU3AM-LFC4	SI. DIODE	
D1922	RU3YX-LFC4	SI. DIODE	
D1923	EGP10DL-6006-F1	SI. DIODE	
△ D1925	RGP10J-5025-T3	SI. DIODE	
D1926	1SS133-T2	SI. DIODE	
D1927	1SS133-T2	SI. DIODE	
D1928	1SS133-T2	SI. DIODE	
D1931	1SS133-T2	SI. DIODE	
D1933	1SS133-T2	SI. DIODE	
D1942	MTZJ6.8C-T2	ZENER DIODE	
△ D1951	MTZJ7.5A-T2	ZENER DIODE	

TRANSISTOR			
Q1001	DTC124EKA-X	DIGI. TRANSISTOR	
Q1101	2SC5083/L-P/-T	SI. TRANSISTOR	
Q1131-32	2SC2412K/QR/-X	SI. TRANSISTOR	
Q1161	2SC2412K/QR/-X	SI. TRANSISTOR	
Q1203	2SC2412K/QR/-X	SI. TRANSISTOR	
Q1204-05	2SA1037AK/QR/-X	SI. TRANSISTOR	
Q1231-32	2SC2412K/QR/-X	SI. TRANSISTOR	
Q1301	2SC2412K/QR/-X	SI. TRANSISTOR	
△ Q1521	2SC4212/Z1/	SI. TRANSISTOR	
Q1531	2SD2499-LB	SI. TRANSISTOR	
Q1541	2SA1037AK/QR/-X	SI. TRANSISTOR	
△ Q1542	2SC2785/JH/-T	SI. TRANSISTOR	
Q1601	DTC124EKA-X	DIGI. TRANSISTOR	
Q1602	2SC2412K/QR/-X	SI. TRANSISTOR	
Q1603	DTC124EKA-X	DIGI. TRANSISTOR	
Q1604	2SA1037AK/QR/-X	SI. TRANSISTOR	
Q1701	DTC124EKA-X	DIGI. TRANSISTOR	
Q1741	2SC2412K/QR/-X	SI. TRANSISTOR	
Q1742	DTC124EKA-X	DIGI. TRANSISTOR	
Q1743	2SC2412K/QR/-X	SI. TRANSISTOR	
Q1911	2SA1037AK/QR/-X	SI. TRANSISTOR	
Q1912	2SD2088-T	SI. TRANSISTOR	
Q1921	2SC2412K/QR/-X	SI. TRANSISTOR	
Q1922	2SD1383K/AB/-X	SI. TRANSISTOR	

Symbol No.	Part No.	Part Name	Description
TRANSISTOR			
Q1923	2SA1020/Y/-T	SI. TRANSISTOR	
Q1924	2SC2412K/QR/-X	SI. TRANSISTOR	
Q1925	2SA949/Y/Z1-T	SI. TRANSISTOR	
Q1926	2SC2240/GL/-T	SI. TRANSISTOR	
Q1927-28	DTC124EKA-X	DIGI. TRANSISTOR	
Q1942	2SC2412K/QR/-X	SI. TRANSISTOR	
Q1943	2SC2240/GL/-T	SI. TRANSISTOR	
Q1944	DTC124EKA-X	DIGI. TRANSISTOR	
Q1951	2SA949/Y/Z1-T	SI. TRANSISTOR	
IC			
IC1001	BA17805T	I. C. (MONO-ANA)	
IC1101	AN7809F	I. C. (MONO-ANA)	
IC1201	TA1242N	I. C. (MONO-ANA)	
△ IC1421	LA7832	I. C. (MONO-ANA)	
△ IC1601	LA4485	I. C. (MONO-ANA)	
IC1701	MN1876478JT1	I. C.	(SERVICE)
IC1702	AT24C04-27GFH	I. C.	
IC1703	S-80840ALY-T	I. C. (MONO-ANA)	
△ IC1771	AN77L05-T	I. C. (MONO-ANA)	
△ IC1901	STR-F6626/F7	I. C. (HYBRID)	
△ IC1941	SE135N	I. C. (HYBRID)	
OTHERS			
CF1001	QAX0349-001	CERAMIC FILTER	
CF1131	QAX0339-001	CERAMIC FILTER	
CF1161	SFSH4.5MNCB	CERAMIC FILTER	
CF1501	CSB503F30-T2	CER. RESONATOR	
CF1701	QAX0685-001	CER. RESONATOR	
CL1003	CM47653-001	P. W. B. HOLDER	
CN1001	QGB1505J1-35	RECEPTACLE	
△ CP1902	ICP-N75-Y	I. C. PROTECT	
△ F1901	QMF0007-5R0J1	FUSE	
△ FC1901	CEM002-001Z	FUSE CLIP	
△ LF1901	QQR1084-001	LINE FILTER	
△ LF1902	QQR0532-003	LINE FILTER	
△ RY1901	CESK028-001	RELAY	
△ RY1921	CESK028-001	RELAY	
△ TH1901	CEKP007-002	P. THERMISTOR	
△ TU1001	QAU0176-001	TUNER	
K1421	QQR0582-001Z	BEADS CORE	
K1703	QQR0582-001Z	BEADS CORE	
K1901	QQR0621-002Z	BEADS CORE	
K1902	QQR0621-002Z	BEADS CORE	
K1903	QQR0621-002Z	BEADS CORE	
K1905	QQR0621-002Z	BEADS CORE	
K1906	QQR0621-002Z	BEADS CORE	
K1921	QQR0621-002Z	BEADS CORE	
K1922	QQR0621-002Z	BEADS CORE	
K1923	QQR0621-002Z	BEADS CORE	
K1924	QQR0621-002Z	BEADS CORE	
△ PC1901	TLP621(B)	I. C. (PH. COUPLER)	
△ PC1902	TLP621(B)	I. C. (PH. COUPLER)	
S1421	QSL4A13-C02	LEVER SWITCH	
SF1101	QAX0324-002	SAW FILTER	
△ VA1901	ERZV10V621CS	VARIATOR	
X1301	QAX0310-001Z	CRYSTAL	

CRT SOCKET PW BOARD ASS'Y (SGF-3001A-M2)

Symbol No.	Part No.	Part Name	Description
RESISTOR			
R3351-53	NRSA02J-221X	MG R	220Ω 1/10W J
R3354-56	NRSA02J-181X	MG R	180Ω 1/10W J
R3357-59	NRSA02J-101X	MG R	100Ω 1/10W J
R3360-62	QRZ0111-152	C R	1.5kΩ 1/2W K
R3363-65	QRG029J-103	OM R	10kΩ 2W J
R3366-68	NRSA02J-152X	MG R	1.5kΩ 1/10W J
R3381	QRE121J-394Y	C R	390kΩ 1/2W J
CAPACITOR			
C3354-55	NCS21HJ-331X	C CAP.	330pF 50V J
C3356	NCS21HJ-391X	C CAP.	390pF 50V J
C3357	QETN1CM-107Z	E CAP.	100μF 16V M
△ C3382	QCZ0121-102	C CAP.	1000pF 3kV Z
COIL			
L3381	QQL29BJ-101Z	PEAKING COIL	
TRANSISTOR			
Q3351-53	2SC4544-LB	SI. TRANSISTOR	
OTHERS			
△ SK3351	CE42446-001	C. R. T. SOCKET	

FRONT CONTROL PW BOARD ASS'Y (SGF-4001A-M2)

Symbol No.	Part No.	Part Name	Description
RESISTOR			
R4701	NRSA02J-103X	MG R	10kΩ 1/10W J
R4702	NRSA02J-472X	MG R	4.7kΩ 1/10W J
R4703	NRSA02J-153X	MG R	15kΩ 1/10W J
R4704	NRSA02J-103X	MG R	10kΩ 1/10W J
R4705	NRSA02J-472X	MG R	4.7kΩ 1/10W J
R4706	NRSA02J-153X	MG R	15kΩ 1/10W J
R4707	NRSA02J-222X	MG R	2.2kΩ 1/10W J
R4708	NRSA02J-681X	MG R	680Ω 1/10W J
R4709	NRSA02J-561X	MG R	560Ω 1/10W J
CAPACITOR			
C4841	QETN1EM-476Z	E CAP.	47μF 25V M
DIODE			
D4701	GL2PR6	L. E. D. (RED)	
TRANSISTOR			
Q4701-02	DTA124EKA-X	DIGI. TRANSISTOR	
IC			
IC4841	PIC-281435Y	IFR DETECT UNIT	
OTHERS			
S4702	CM46978-A01-H	L. E. D. HOLDER	
S4703	QSW0707-001Z	TACT SWITCH	
S4704	QSW0707-001Z	TACT SWITCH	
S4705	QSW0707-001Z	TACT SWITCH	
S4706	QSW0707-001Z	TACT SWITCH	
S4707	QSW0707-001Z	TACT SWITCH	

AV SELECTOR PW BOARD ASS'Y (SGF-8008A-M2)

Symbol No.	Part No.	Part Name	Description
RESISTOR			
R8202	NRSA02J-101X	MG R	100Ω 1/10W J
R8203	NRSA02J-562X	MG R	5.6kΩ 1/10W J
R8204	NRSA02J-101X	MG R	100Ω 1/10W J
R8210	NRSA02J-0R0X	MG R	0.0Ω 1/10W J
R8211	NRSA02J-153X	MG R	15kΩ 1/10W J
R8212	NRSA02J-333X	MG R	33kΩ 1/10W J
R8213	NRSA02J-102X	MG R	1kΩ 1/10W J
R8214	NRSA02J-181X	MG R	180Ω 1/10W J
R8215	NRSA02J-152X	MG R	1.5kΩ 1/10W J
R8216-17	NRSA02J-182X	MG R	1.8kΩ 1/10W J
R8218	NRSA02J-102X	MG R	1kΩ 1/10W J
R8223	NRSA02J-0R0X	MG R	0.0Ω 1/10W J
R8229	NRSA02J-473X	MG R	47kΩ 1/10W J
R8230	NRSA02J-223X	MG R	22kΩ 1/10W J
R8231	NRSA02J-101X	MG R	100Ω 1/10W J
R8232	NRSA02J-102X	MG R	1kΩ 1/10W J
R8233	NRSA02J-272X	MG R	2.7kΩ 1/10W J
R8234	NRSA02J-102X	MG R	1kΩ 1/10W J
R8235-36	NRSA02J-101X	MG R	100Ω 1/10W J
R8241	NRSA02J-821X	MG R	820Ω 1/10W J
R8251	NRSA02J-471X	MG R	470Ω 1/10W J
R8255	NRSA02J-681X	MG R	680Ω 1/10W J
R8256	NRSA02J-182X	MG R	1.8kΩ 1/10W J
R8257	NRSA02J-472X	MG R	4.7kΩ 1/10W J
R8258	NRSA02J-101X	MG R	100Ω 1/10W J
R8259	NRSA02J-222X	MG R	2.2kΩ 1/10W J
R8271	NRSA02J-0R0X	MG R	0.0Ω 1/10W J
R8275	NRSA02J-152X	MG R	1.5kΩ 1/10W J
R8276	NRSA02J-0R0X	MG R	0.0Ω 1/10W J
R8301	NRSA02J-471X	MG R	470Ω 1/10W J
R8303	NRSA02J-102X	MG R	1kΩ 1/10W J
R8304	NRSA02J-101X	MG R	100Ω 1/10W J
R8305	NRSA02J-222X	MG R	2.2kΩ 1/10W J
R8306	NRSA02J-471X	MG R	470Ω 1/10W J
R8310-11	NRSA02J-153X	MG R	15kΩ 1/10W J
R8312	NRSA02J-221X	MG R	220Ω 1/10W J
R8371	NRSA02J-222X	MG R	2.2kΩ 1/10W J
R8372	NRSA02J-471X	MG R	470Ω 1/10W J
R8375	NRSA02J-183X	MG R	18kΩ 1/10W J
R8376	NRSA02J-103X	MG R	10kΩ 1/10W J
R8377	NRSA02J-152X	MG R	1.5kΩ 1/10W J
R8378	NRSA02J-0R0X	MG R	0.0Ω 1/10W J
R8601	NRSA02J-102X	MG R	1kΩ 1/10W J
R8602-03	NRSA02J-682X	MG R	6.8kΩ 1/10W J
R8604	NRSA02J-683X	MG R	68kΩ 1/10W J
R8605	NRSA02J-332X	MG R	3.3kΩ 1/10W J
R8606	NRSA02J-333X	MG R	33kΩ 1/10W J
R8607	NRVA02D-153X	MF R	15kΩ 1/10W D
R8609	NRVA02D-152X	MF R	1.5kΩ 1/10W D
R8611	NRSA02J-512X	MG R	5.1kΩ 1/10W J
R8613-16	NRSA02J-101X	MG R	100Ω 1/10W J
R8661	NRSA02J-123X	MG R	12kΩ 1/10W J
R8662	NRSA02J-473X	MG R	47kΩ 1/10W J
R8663-64	NRSA02J-123X	MG R	12kΩ 1/10W J
R8665	NRSA02J-473X	MG R	47kΩ 1/10W J
R8666	NRSA02J-123X	MG R	12kΩ 1/10W J
R8667-68	NRSA02J-562X	MG R	5.6kΩ 1/10W J
R8671	NRSA02J-562X	MG R	5.6kΩ 1/10W J
R8672	NRSA02J-223X	MG R	22kΩ 1/10W J
R8683	NRSA02J-223X	MG R	22kΩ 1/10W J
R8684	NRSA02J-223X	MG R	22kΩ 1/10W J
R8685	NRSA02J-223X	MG R	22kΩ 1/10W J
R8686	NRSA02J-223X	MG R	22kΩ 1/10W J
R8691-94	NRSA02J-221X	MG R	220Ω 1/10W J
R8695-96	NRSA02J-823X	MG R	82kΩ 1/10W J
R8801	NRSA02J-820X	MG R	82Ω 1/10W J
R8802	NRSA02J-750X	MG R	75Ω 1/10W J
R8803	NRSA02J-820X	MG R	82Ω 1/10W J
R8804-05	NRSA02J-823X	MG R	82kΩ 1/10W J
R8808	NRSA02J-820X	MG R	82Ω 1/10W J
R8809-10	NRSA02J-823X	MG R	82kΩ 1/10W J
R8811	NRSA02J-102X	MG R	1kΩ 1/10W J

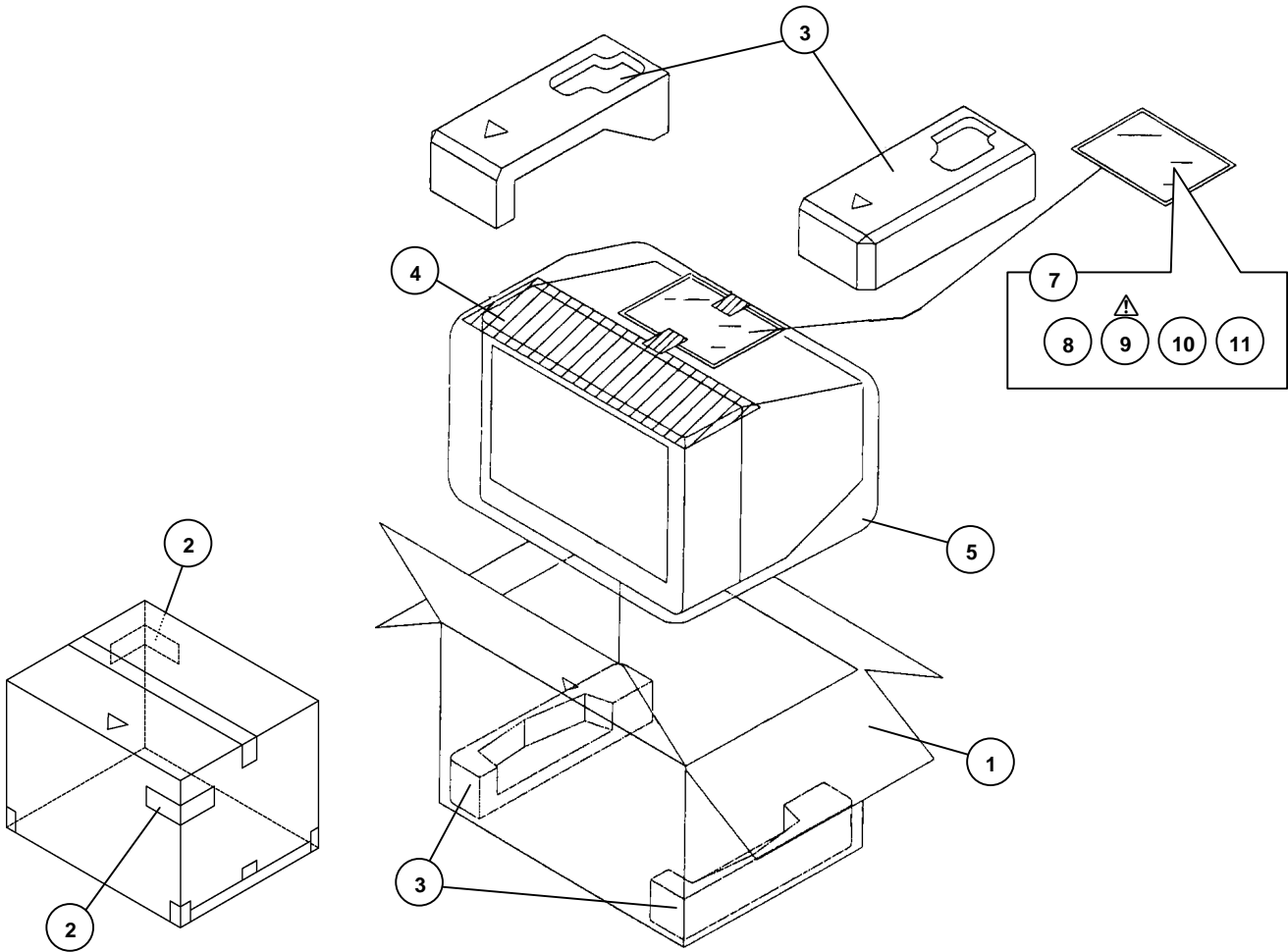
Symbol No.	Part No.	Part Name	Description
RESISTOR			
R8812	NRSA02J-102X	MG R	1kΩ 1/10W J
R8813	NRSA02J-102X	MG R	1kΩ 1/10W J
R8814	NRSA02J-102X	MG R	1kΩ 1/10W J
R8815	NRSA02J-153X	MG R	15kΩ 1/10W J
R8816	NRSA02J-103X	MG R	10kΩ 1/10W J
R8817	NRSA02J-153X	MG R	15kΩ 1/10W J
R8818	NRSA02J-102X	MG R	1kΩ 1/10W J
R8830	NRSA02J-103X	MG R	10kΩ 1/10W J
R8831	NRSA02J-821X	MG R	820Ω 1/10W J
R8832-33	NRSA02J-182X	MG R	1.8kΩ 1/10W J
R8835	NRSA02J-273X	MG R	27kΩ 1/10W J
R8836	NRSA02J-223X	MG R	22kΩ 1/10W J
R8837	NRSA02J-222X	MG R	2.2kΩ 1/10W J
R8851	NRSA02J-562X	MG R	5.6kΩ 1/10W J
R8852	NRSA02J-223X	MG R	22kΩ 1/10W J
R8861-64	NRSA02J-0R0X	MG R	0.0Ω 1/10W J
R8865	NRSA02J-104X	MG R	100kΩ 1/10W J
CAPACITOR			
C8201	QETN1CM-107Z	E CAP.	100μF 16V M
C8203	QETN1EM-476Z	E CAP.	47μF 25V M
C8204	NCB21HK-103X	C CAP.	0.01μF 50V K
C8208	NCB21HK-103X	C CAP.	0.01μF 50V K
C8209	QETN1EM-476Z	E CAP.	47μF 25V M
C8211	QENC1EM-106Z	BP E CAP.	10μF 25V M
C8212	NDC21HJ-101X	C CAP.	100pF 50V J
C8213	NDC21HJ-470X	C CAP.	47pF 50V J
C8214	NDC21HJ-181X	C CAP.	180pF 50V J
C8215	QETN1HM-474Z	E CAP.	0.47μF 50V M
C8223	NCB21HK-103X	C CAP.	0.01μF 50V K
C8226	NCB21HK-103X	C CAP.	0.01μF 50V K
C8231-32	QETN1EM-476Z	E CAP.	47μF 25V M
C8241-45	NCB21HK-103X	C CAP.	0.01μF 50V K
C8246	NDC21HJ-181X	C CAP.	180pF 50V J
C8247-49	NCB21HK-103X	C CAP.	0.01μF 50V K
C8251	QETN1EM-476Z	E CAP.	47μF 25V M
C8252	NCB21HK-103X	C CAP.	0.01μF 50V K
C8255	NDC21HJ-390X	C CAP.	39pF 50V J
C8304	NDC21HJ-150X	C CAP.	15pF 50V J
C8306	NDC21HJ-680X	C CAP.	68pF 50V J
C8307	NDC21HJ-271X	C CAP.	27pF 50V J
C8371	NCB21HK-103X	C CAP.	0.01μF 50V K
C8375	NCB21HK-103X	C CAP.	0.01μF 50V K
C8601	QETN1CM-107Z	E CAP.	100μF 16V M
C8602	NCB21HK-103X	C CAP.	0.01μF 50V K
C8603	QETN1EM-476Z	E CAP.	47μF 25V M
C8604	NCB21HK-104X	CHIP CAP.	0.1μF 50V K
C8605	QENC1HM-475Z	BP E CAP.	4.7μF 50V M
C8606	QENC1HM-105Z	BP E CAP.	1μF 50V M
C8607	QETN1HM-225Z	E CAP.	2.2μF 50V M
C8608	NCB21HK-473X	C CAP.	0.047μF 50V K
C8609	QETN1HM-474Z	E CAP.	0.47μF 50V M
C8610-11	NCB21HK-104X	CHIP CAP.	0.1μF 50V K
C8612	QETN1HM-105Z	E CAP.	1μF 50V M
C8613	QBTC1CK-335Z	TAN. CAP.	3.3μF 16V K
C8614	QBTC1CK-106Z	TAN. CAP.	10μF 16V K
C8615-16	QETN1HM-105Z	E CAP.	1μF 50V M
C8617	QETN1HM-475Z	E CAP.	4.7μF 50V M
C8618	QETN1HM-105Z	E CAP.	1μF 50V M
C8619	NCB21HK-273X	C CAP.	0.027μF 50V K
C8620	QETN1HM-225Z	E CAP.	2.2μF 50V M
C8621	NCB21HK-222X	C CAP.	2200pF 50V K
C8622	NCB21HK-104X	CHIP CAP.	0.1μF 50V K
C8623	QETN1HM-225Z	E CAP.	2.2μF 50V M
C8624	NCB21HK-222X	C CAP.	2200pF 50V K
C8625	NCB21HK-104X	CHIP CAP.	0.1μF 50V K
C8628	QETN1HM-105Z	E CAP.	1μF 50V M
C8661-62	QENC1HM-105Z	BP E CAP.	1μF 50V M
C8664	QETN1EM-476Z	E CAP.	47μF 25V M
C8691-92	QETN1HM-474Z	E CAP.	0.47μF 50V M
C8811-14	QETN1HM-105Z	E CAP.	1μF 50V M

FRONT AV IN PW BOARD ASS'Y (SGF-8304A-M2)

Symbol No.	Part No.	Part Name	Description
CAPACITOR			
C8821-22	QETN1HM-106Z	E CAP.	10 μ F 50V M
C8825-27	QETN1HM-106Z	E CAP.	10 μ F 50V M
C8831	QETN1EM-476Z	E CAP.	47 μ F 25V M
C8832	NCB21HK-103X	C CAP.	0.01 μ F 50V K
C8833	QETN1HM-106Z	E CAP.	10 μ F 50V M
C8835-36	QETN1EM-476Z	E CAP.	47 μ F 25V M
COIL			
L8201	QQL29BJ-6R8Z	PEAKING COIL	
L8202	QQL29BJ-150Z	PEAKING COIL	
L8203-04	QQL29BJ-4R7Z	PEAKING COIL	
L8211	QQL29BJ-4R7Z	PEAKING COIL	
L8251	QQL29BJ-6R8Z	PEAKING COIL	
L8301-02	QQL29BJ-150Z	PEAKING COIL	
L8801	QQL29BJ-6R8Z	PEAKING COIL	
DIODE			
D8693-94	MTZJ9.1C-T2	ZENER DIODE	
D8811-22	MTZJ9.1C-T2	ZENER DIODE	
TRANSISTOR			
Q8201	2SC2412K/QR/-X	SI. TRANSISTOR	
Q8211-12	2SC2412K/QR/-X	SI. TRANSISTOR	
Q8218	2SC2412K/QR/-X	SI. TRANSISTOR	
Q8219	2SA1037AK/QR/-X	SI. TRANSISTOR	
Q8252	2SA1037AK/QR/-X	SI. TRANSISTOR	
Q8253	2SC2412K/QR/-X	SI. TRANSISTOR	
Q8271	2SC2412K/QR/-X	SI. TRANSISTOR	
Q8301-02	2SC2412K/QR/-X	SI. TRANSISTOR	
Q8304-05	2SC2412K/QR/-X	SI. TRANSISTOR	
Q8371	2SC2412K/QR/-X	SI. TRANSISTOR	
Q8671-72	DTC124EKA-X	DIGI. TRANSISTOR	
Q8683-86	DTC323TK-X	DIGI. TRANSISTOR	
Q8804-05	2SC2412K/QR/-X	SI. TRANSISTOR	
Q8851-52	DTC124EKA-X	DIGI. TRANSISTOR	
IC			
IC8201	TC90A45P	I. C. (DIGI-MOS)	
IC8202	AN78L05-T	I. C. (MONO-ANA)	
IC8601	UPC1851BCU	I. C. (MONO-ANA)	
IC8661	BA15218N	I. C. (MONO-ANA)	
IC8671	TC4066BP/N/	I. C. (DIGI-MOS)	
IC8801	BA7644AN	I. C. (MONO-ANA)	
IC8803	TC4066BP/N/	I. C. (DIGI-MOS)	
OTHERS			
CN8001	QGB1505K1-35	PLUG	
J8801	QNZ0454-001	PIN JACK	

Symbol No.	Part No.	Part Name	Description
OTHERS			
J8001	QNN0417-001	PIN JACK	

PACKING



PACKING PARTS LIST

△ Ref.No.	Part No.	Part Name	Description
1	LC10181-017A-A	PACKING CASE	
2	CM36616-001-A	CORNER LABEL	
3	LC10083-004B-A	CUSHION ASSY	4pcs in 1set
4	CP30055-001-A	TOP COVER	
5	CP30056-008-A	POLY BAG	
7	QPA02503505	POLY BAG	
8	QAM0365-001	TEL CORD	
△ 9	LCT0965-001A-A	INST BOOK	
10	BT-52004-1Q	WARRANTY CARD	
11	BT-51027-1Q	WARRANTY CARD	

JVC SERVICE & ENGINEERING COMPANY OF AMERICA

DIVISION OF JVC AMERICAS CORP.

Head office :	1700 Valley Road, Wayne, New Jersey 07470	(973)315-5000
East Coast :	10 New Maple Avenue, Pine Brook, New Jersey 07058	(973)396-1000
Midwest :	705 Enterprise St. Aurora, Illinois 60504	(630)851-7855
West Coast :	5665 Corporate Avenue, Cypress, California 90630	(714)229-8011
Southwest :	10700 Hammerly, Suite 105, Houston, Texas 77043	(713)935-9331
Hawaii :	2969 Mapunapuna Place, Honolulu, Hawaii 96819	(808)833-5828
Southeast :	1500 Lakes Parkway, Lawrenceville, Georgia 30243	(770)339-2582

JVC CANADA INC.

Head office :	21 Finchdene Square Scarborough, Ontario M1X 1A7	(416)293-1311
Vancouver :	13040 Worster Court Richmond B.C. V6V 2B3	(604)270-1311

JVC[®]